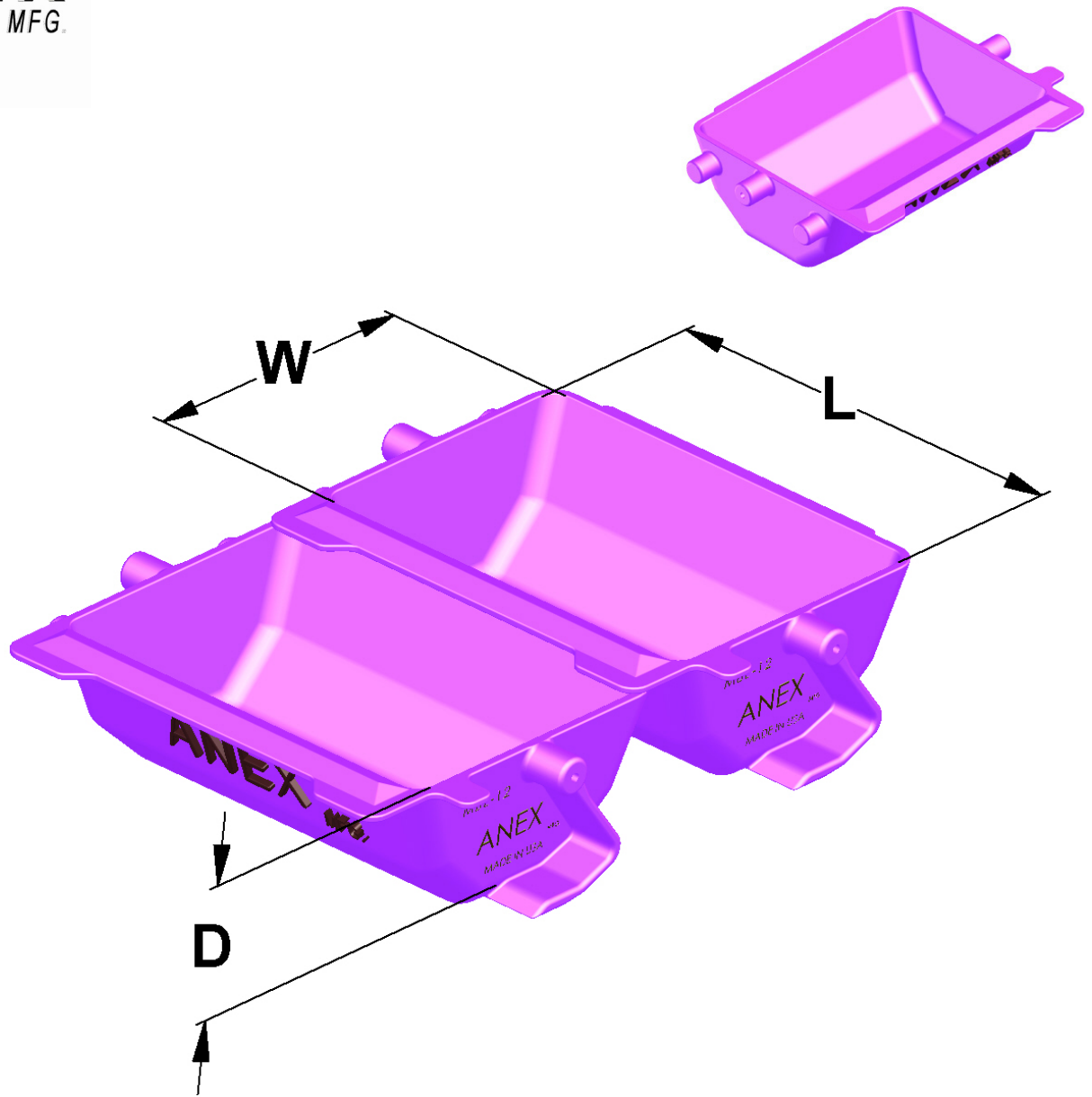


P.O. BOX 11148 Burbank, CA 91510

TEL: (818) 767-9500 FAX: (818) 767-9300 WWW.ANEXMFG.COM



## POLYPROPYLENE FDA APPROVED PLASTIC BUCKETS

MODEL NO.	LENGTH "L"	DEPTH "D"	WIDTH "W"	CAPACITY CUB. INCH.
MBL-09	8"	3 3/4"	8"	190
MBL-12	11"	3 3/4"	8"	265
MBL-15	14"	3 3/4"	8"	335
MBL-18	17"	3 3/4"	8"	410
MBL-24	23"	3 3/4"	8"	550