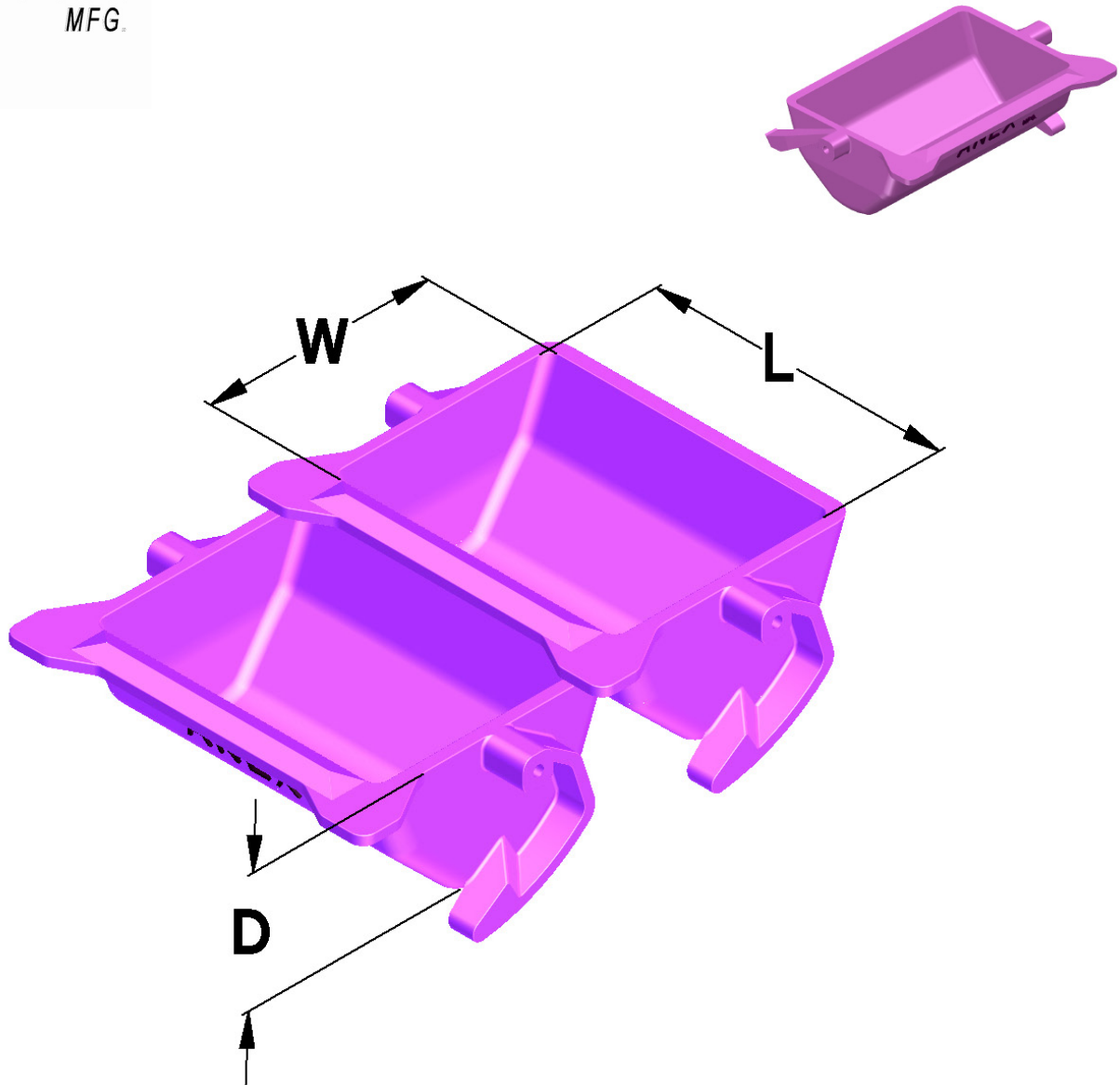




P.O. BOX 11148 Burbank, CA 91510
 TEL: (818) 767-9500 FAX: (818) 767-9300 WWW.ANEXMFG.COM



POLYPROPYLENE FDA APPROVED PLASTIC BUCKETS

MODEL NO.	LENGTH "L"	DEPTH "D"	WIDTH "W"	CAPACITY CUB. INCH.
SBL-06	5 3/4"	2 9/16"	4 3/8"	45
SBL-09	8 3/4"	2 9/16"	4 3/8"	65
SBL-12	11 3/4"	2 9/16"	4 3/8"	90
SBL-15	14 3/4"	2 9/16"	4 3/8"	110
SBL-18	17 3/4"	2 9/16"	4 3/8"	135