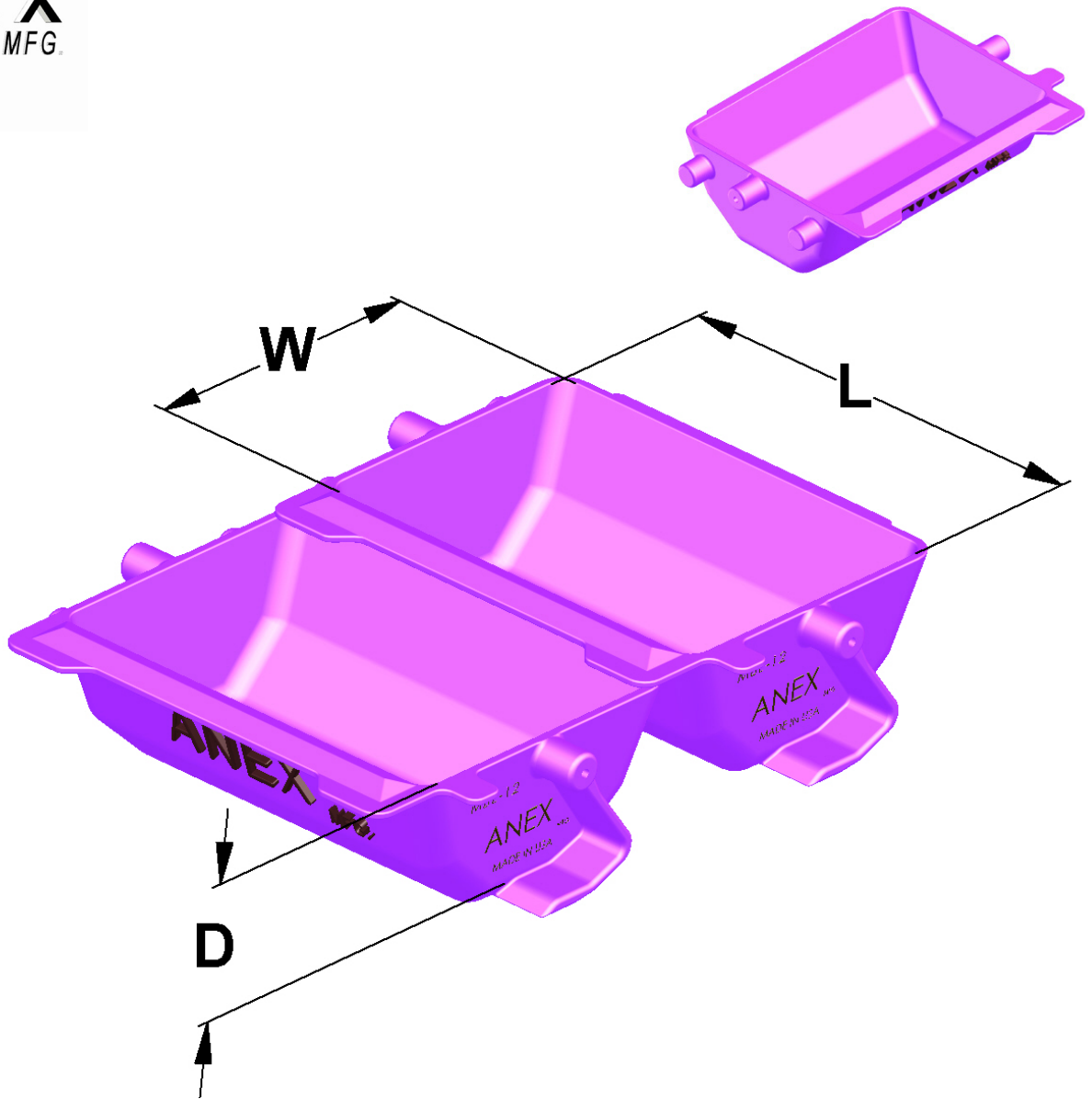


P.O. BOX 11148 Burbank, CA 91510  
 TEL: (818) 767-9500 FAX: (818) 767-9300 WWW.ANEXMFG.COM



## POLYPROPYLENE FDA APPROVED PLASTIC BUCKETS

MODEL NO.	LENGTH "L"	DEPTH "D"	WIDTH "W"	CAPACITY CUB. INCH.
HBL-09	8"	5 5/16"	10 3/4"	320
HBL-12	11"	5 5/16"	10 3/4"	440
HBL-15	14"	5 5/16"	10 3/4"	570
HBL-18	17"	5 5/16"	10 3/4"	690
HBL-24	23"	5 5/16"	10 3/4"	940
HBL-30	29"	5 5/16"	10 3/4"	1190
HBL-36	35"	5 5/16"	10 3/4"	1430
HBL-42	41"	5 5/16"	10 3/4"	1680
HBL-48	47"	5 5/16"	10 3/4"	1930